

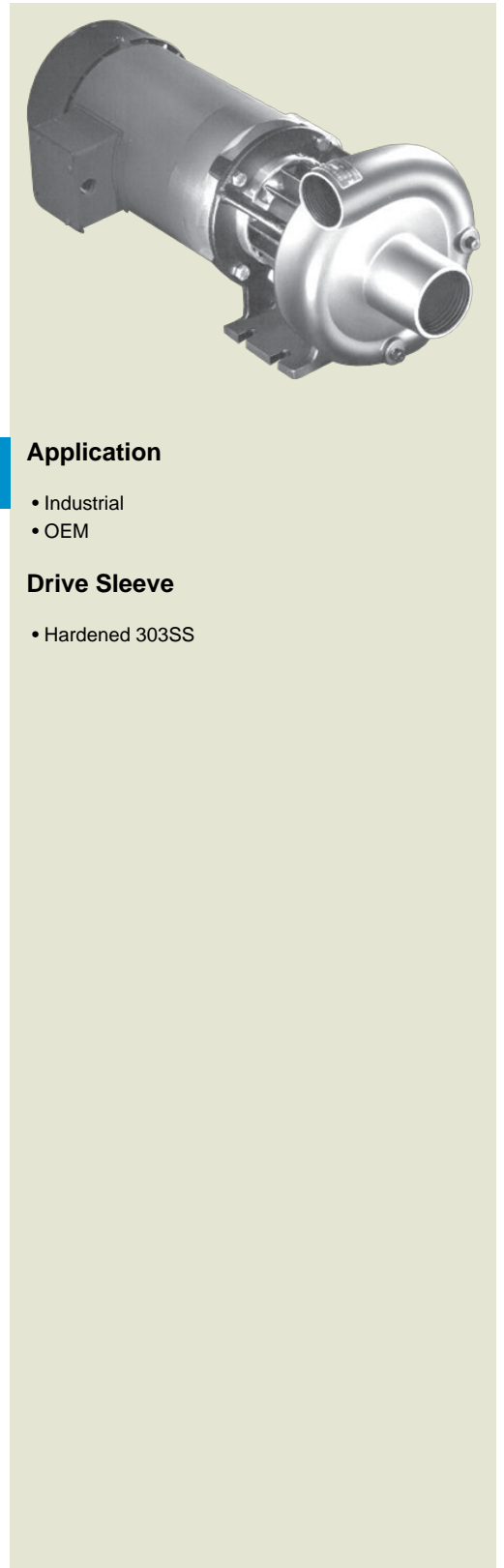


HTO™ 120

2" x 1-1/2" End Suction Centrifugal Hot Oil Pump

HTO120 is a patented, unique centrifugal pump designed for high temperature applications, such as the plastics, chemical, food and processing industries. The pump can be used in horizontal or vertical positions and is available with or without an electric motor. It is designed to greatly reduce the temperature at the seal by utilizing ambient air temperature which greatly increases seal life.

Want to learn more about using pumps with heat transfer fluids? Click here to view "Using Pumps with Heat Transfer Fluids" an article featured in Process Heating Magazine written by MP Pumps' Chief Engineer.



SPECIFICATIONS:

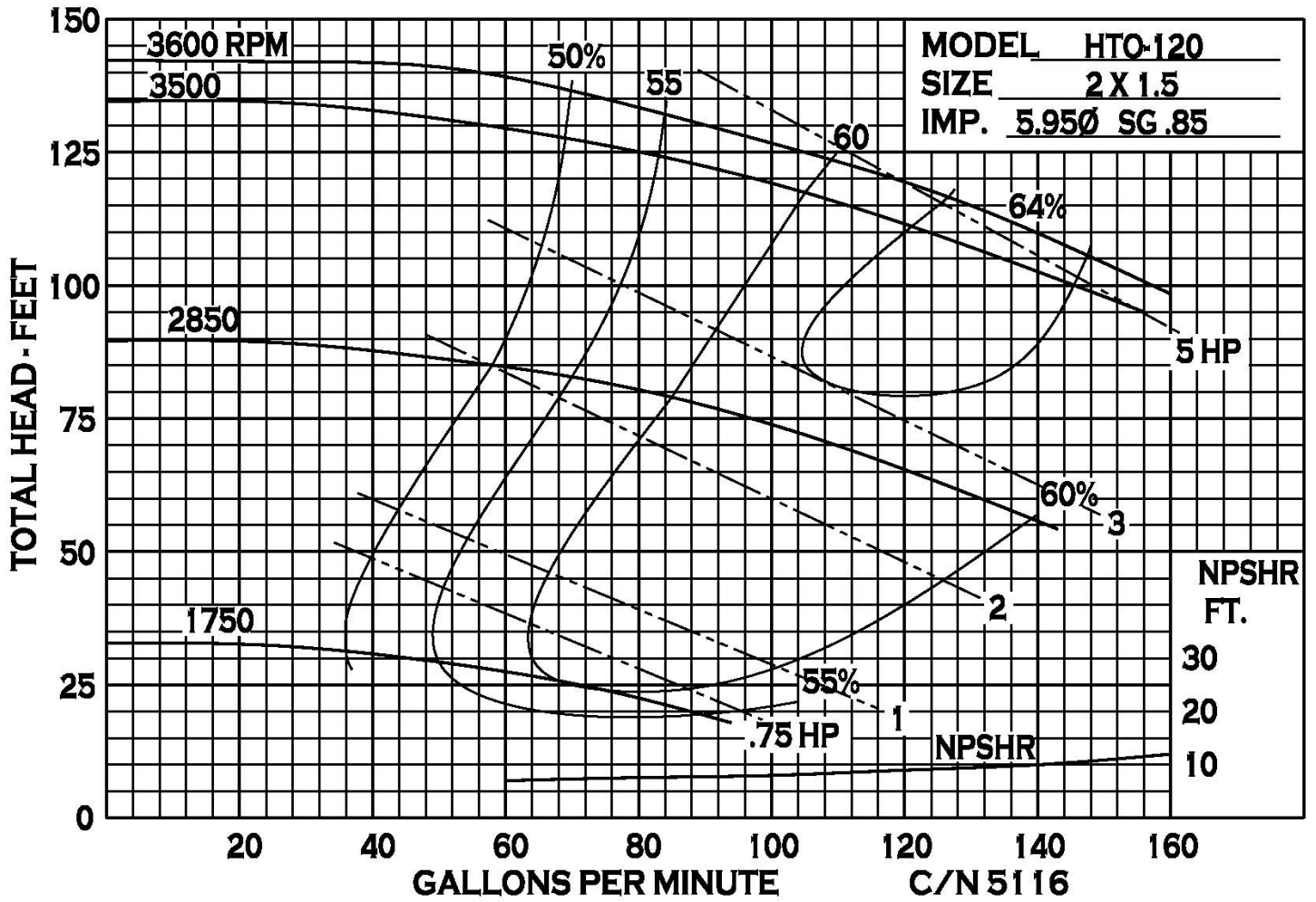
Suction And Discharge	2" x 1-1/2" NPT or 125# flat flange
Materials Of Construction	Ductile iron
Flow	Up to 195 GPM
Head Feet	Up to 135'
Impeller	5.96" cast iron, enclosed
Motor	Up to 5 HP
Drive Options	Close coupled 145TC, Close coupled 184C, Pedestal, PumPAK® (without motor)
Seal	Carbon / silicon carbide / Viton
Temperature	650°F max

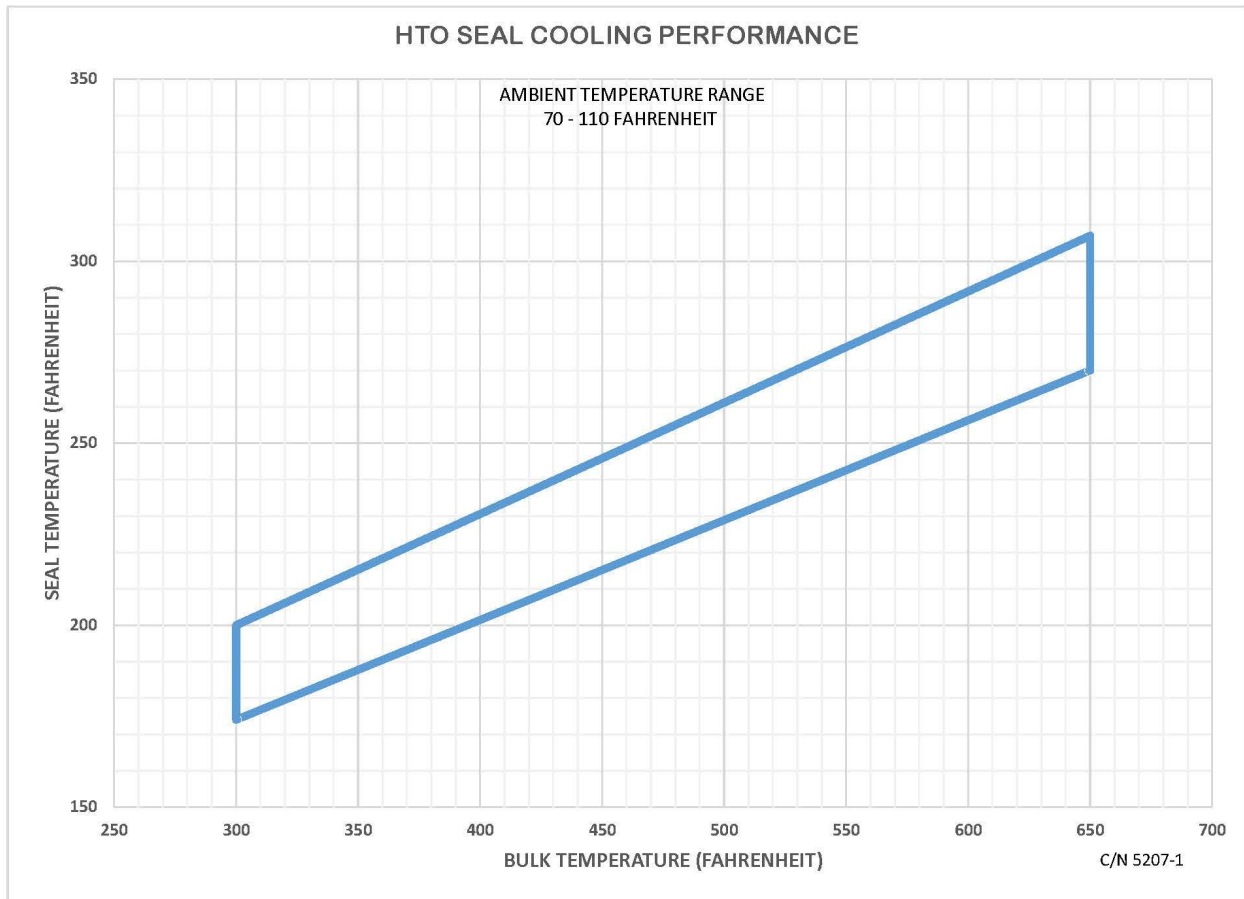
Application

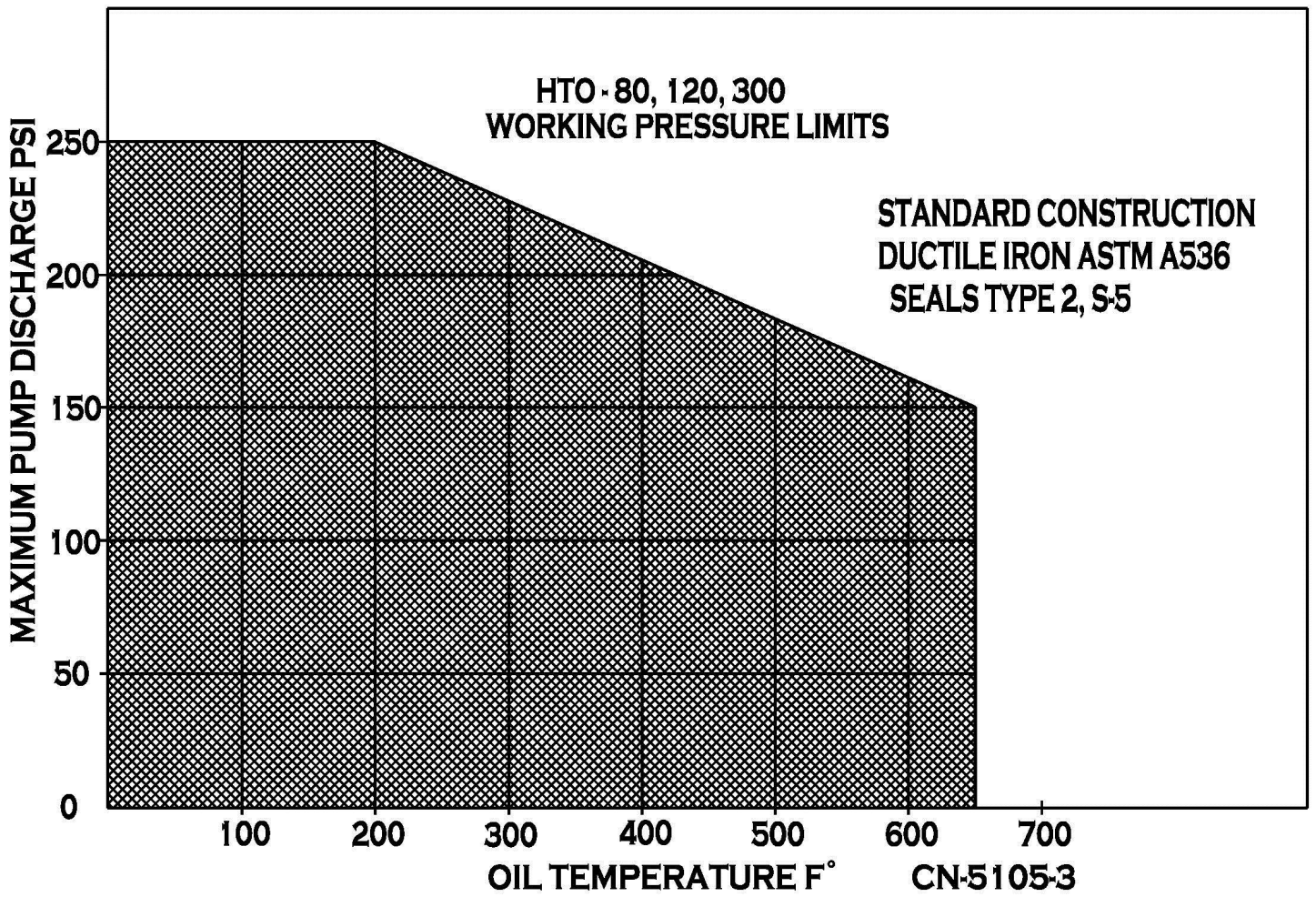
- Industrial
- OEM

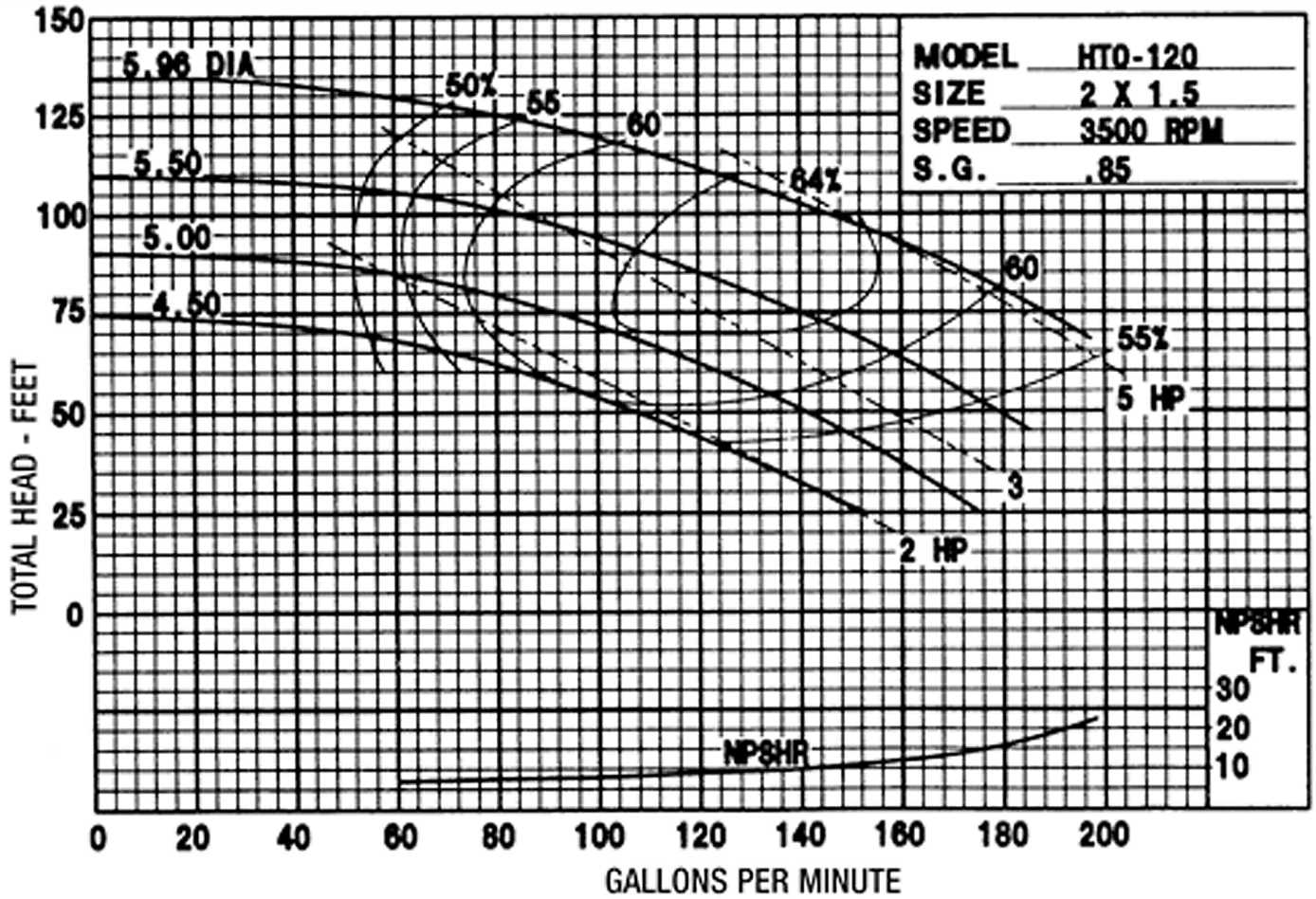
Drive Sleeve

- Hardened 303SS







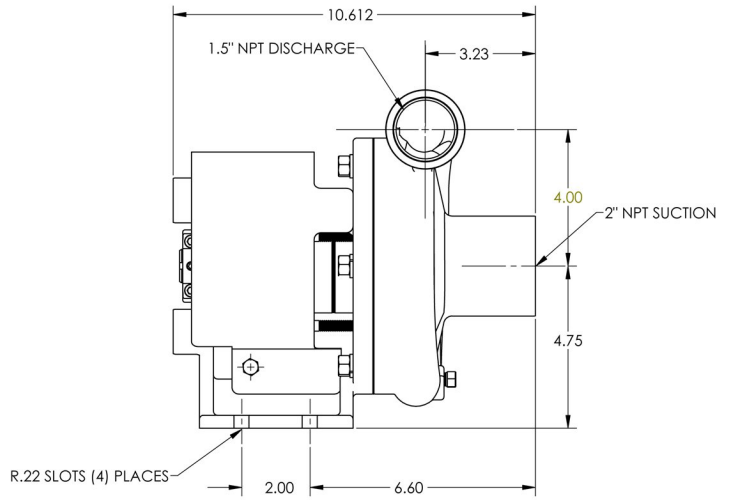
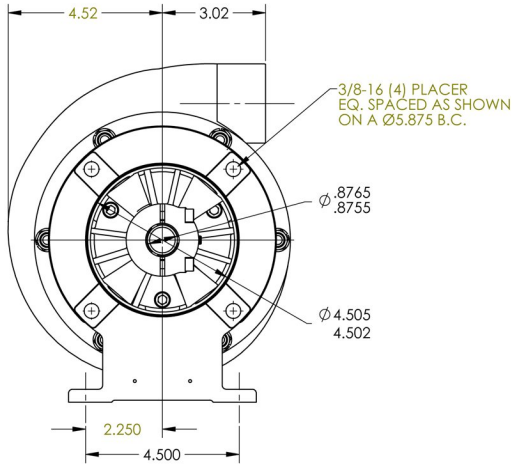


Horsepower requirements based upon 0.85 specific gravity. Calculations can be applied for fluids of other specific gravities.

Maximum operating temperature is 650°F.



29809



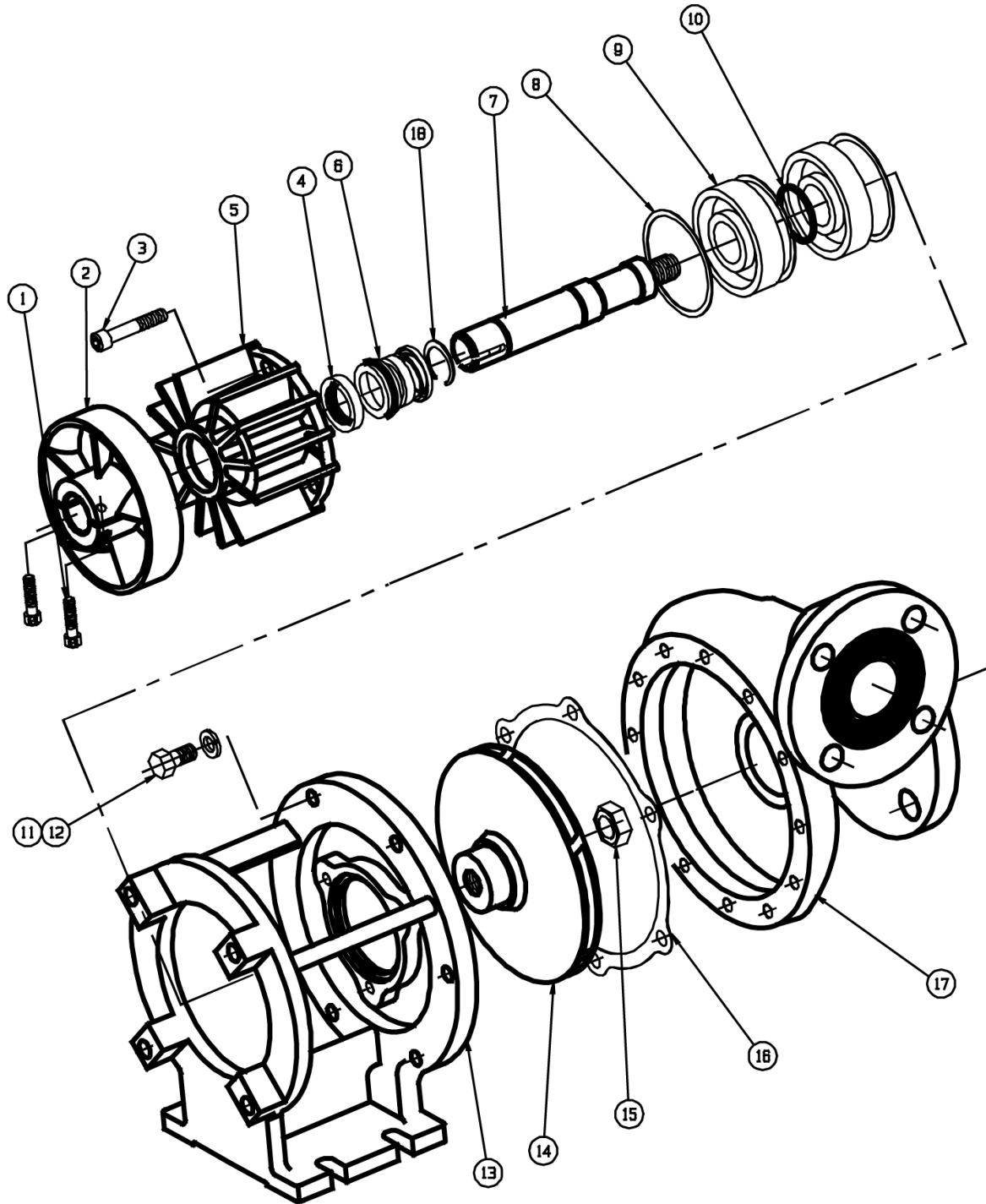
NOTE: THIS DRAWING OR PRINT, PROPERTY OF MP PUMPS INC. CONTAINS PROPRIETARY AND CONFIDENTIAL INFORMATION. IT SHALL BE USED ONLY AS APPROVED BY MP PUMPS AND SHALL NOT BE GIVEN TO OTHERS OR COPIED WITHOUT THE WRITTEN CONSENT OF MP PUMPS. RETURN TO MP PUMPS PROMPTLY WHEN REQUESTED.

G					UNLESS OTHERWISE NOTED THIRD ANGLE PROJECTION 2 PLACE DIM ± 0.20 3 PLACE DIM ± 0.10 ANGULAR DIM ± 1°	MP PUMPS, INC.						
F						FRASER, MICHIGAN 48026, U.S.A.						
E						MATERIAL	DRAWN BY	DATE COMP.	APPROV.	SCALE	MADE FOR	MADE FROM
D							C.W.	2-18-13	D.D.	FULL		
C						DO NOT SCALE						
B					NAME						DRAWING NO	
A					HTO-120 145TC						29809	
REV	DESCRIPTION	DRAWN	DATE	ED								



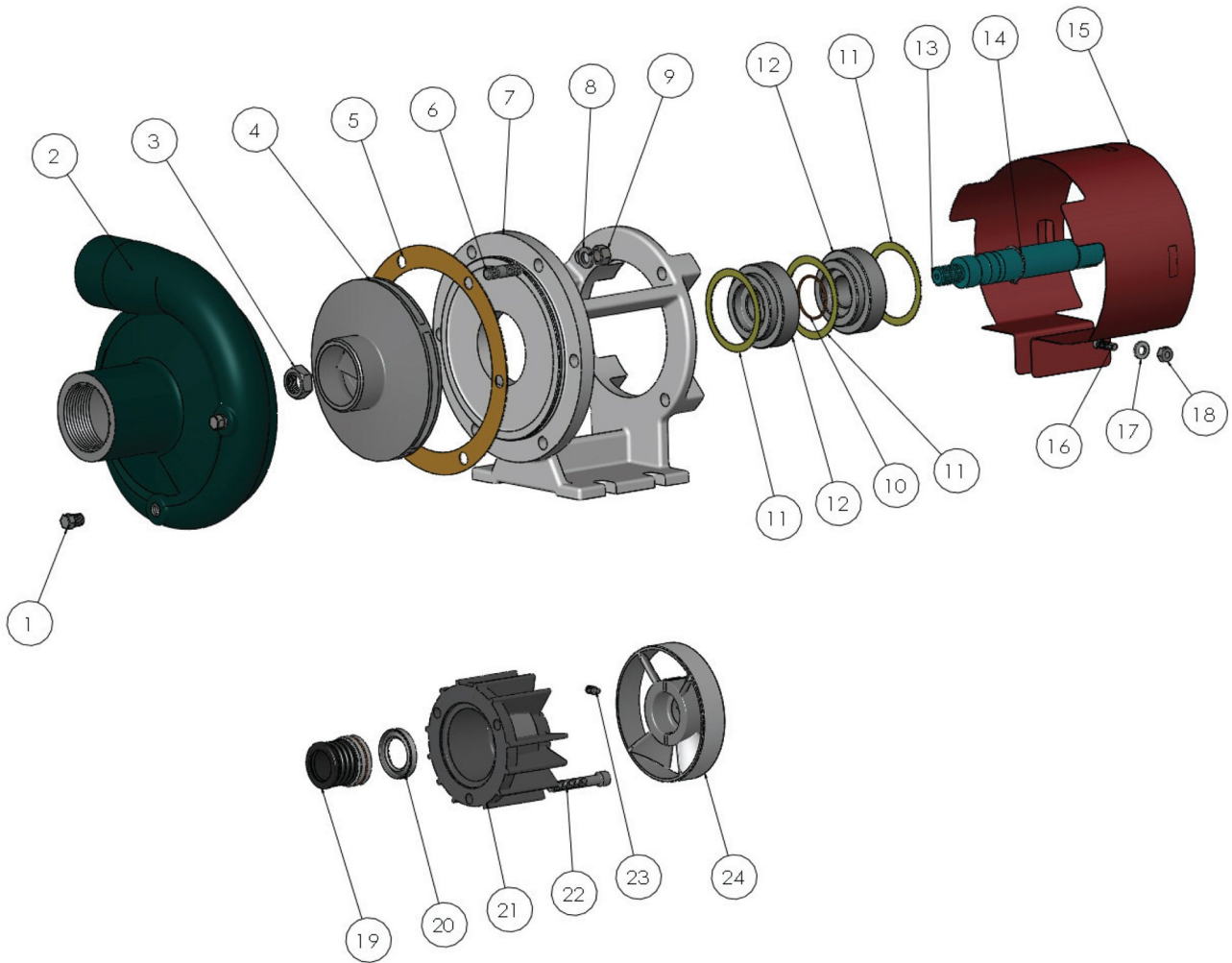
34800 BENNETT - FRASER, MI 48026-1686
 (586) 293-8240 - FAX (586) 293-8469
 (800) 563-8006 - www.mppumps.com

HOT OIL PUMP



ITEM	PART NO.	DESCRIPTION	QTY.	ITEM	PART NO.	DESCRIPTION	QTY.
HTO - 120							
1	29179	CAPSCREW STL	2	11	21291	CAPSCREW CPS	6
2	29775	COOLING FAN CLAMP	1	12	21266	LOCKWASHER S.S.	6
3	29178	CAPSCREW STL	3	13	29160	ADAPTOR - DUCTILE IRON	1
4	29774	LIP SEAL - VITON	1	14	29770	IMPELLER - 5.9 DIA - CAST IRON	1
5	29772	SEAL HOUSING - DUCTILE IRON	1	15	22655	HEX JAM NUT - S.S.	1
6	29773	SEAL ASSEMBLY 1" - TYPE 2	1	16	31518	GASKET	1
7	29781	DRIVE SLEEVE - STAINLESS STEEL	1	17	31482	HOUSING - DUCTILE IRON	1
8	29165	GASKET	3	18	29782	SNAP RING	1
9	29158	ISOLATOR	2	19	21585	PIPE PLUG 1/8" N.P.T. (N/S)	2
10	29230	O-RING - VITON	1	20	41484	PIPE PLUG 1.5" N.P.T. (N/S)	1
				21	41485	PIPE PLUG 2" N.P.T. (N/S)	1





ITEM NO.	PART NO.	DESCRIPTION	QTY.		ITEM NO.	PART NO.	DESCRIPTION	QTY.
1	21585	PIPE PLUG STL - 1/8" NPT	2		13	29781	DRIVE SLEEVE S.S.	1
2	26587	HOUSING D	1	*	14	29782	SNAP RING STL. - 5100-100	1
3	22655	HEX JAM NUT S.S. - 5/8-18	1		15	33273	SHIELD	1
4	29770	IMPELLER C - 5.96 DIA.	1		16	33810	CAPSCREW 1/4-20 X 1.75	1
* 5	31518	GASKET - CARBON GRAPHITE	1		17	27261	WASHER STL 1/4	2
6	21261	STUD S.S. 3/8-16 X 1.63	6		18	21241	HEX NUT S.S. 1/4-20	1
7	29160	ADAPTER C	1		19	29773	SEAL ASSY. T-2	1
8	21266	LOCK WASHER S.S. 3/8 X 1/8	6	*	20	29774	LIPSEAL - VITON	1
9	21268	HEX NUT S.S.- 3/8-18	6		21	29772	SEAL HOUSING D	1
10	29230	O-RING	1		22	29178	CAPSCREW STL. 5/16-18 X 2.0"	3
* 11	29165	GASKET - GARLOCK	3		23	33417	SET SCREW STL. - 1/4-28 X 1/2"	1
* 12	29158	ISOLATOR	2		24	29775	CLAMP FAN ASSY.	1

*RECOMMENDED REPLACEMENT PARTS

